

LA300EVK

150 daN | for gates up to 300 kg per leaf

POWERED BY
myQ®



Motor warranty: 2 years

Max. gate weight at max. leaf width:

300 kg / 2 m

250 kg / 2.5 m

200 kg / 3 m

Max. cycles h/day: 10/30

Opening time 90°: ~ 15-18s



Delivery kit LA300EVK

LA300EV



2 x 24 V swing gate operator
with integrated end stops

TX4EVF



2 x 4-channel remote transmitters
controls up to 4 drives

CB324EV



1 x control board
factory installed Includes
transformer and integrated
radio module

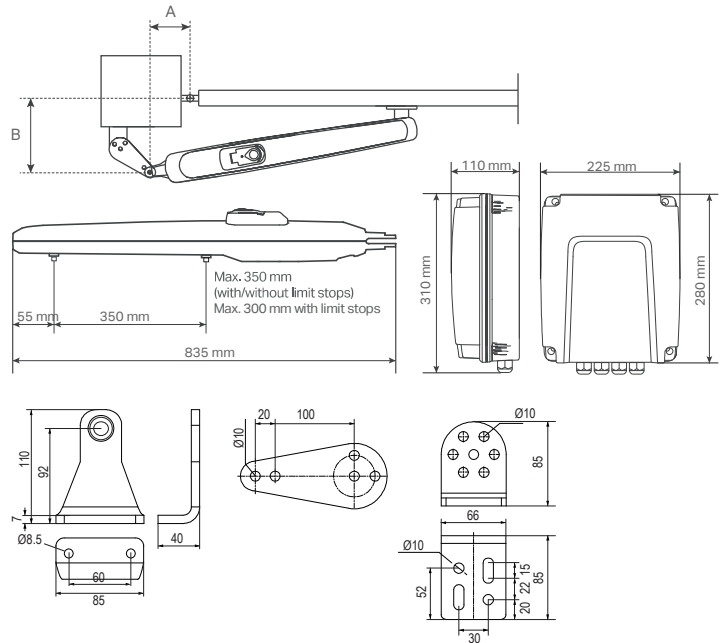
Further kits

Further kits

LA300EVK-01 LA300EVK-Kit
+ infrared + safety sensor (772E-01)

LA300EVK-02 LA300EVK-Kit
+ flashing light (FLA1LED)

LA300EVK-03 LA300EVK-Kit
+ infrared safety sensor (772E-01)
+ flashing light (FLA1LED)



Overview possible opening angles

With internal fixed stop with max. 300 mm travel path

mm	A					
	100	120	140	160	180	
B	100	n.a.	110°	105°	105°	100°
	120	110°	110°	100°	95°	95°
	140	100°	100°	100°	90°	80°
	160	95°	95°	90°	85°	75°
	180	90°	90°	80°	75°	70°

Without internal fixed stop with max. 350 mm travel path

mm	A					
	100	120	140	160	180	
B	100	n.a.	120°	120°	120°	120°
	120	115°	115°	115°	110°	100°
	140	105°	110°	110°	105°	100°
	160	100°	100°	100°	95°	90°
	180	95°	95°	95°	90°	85°